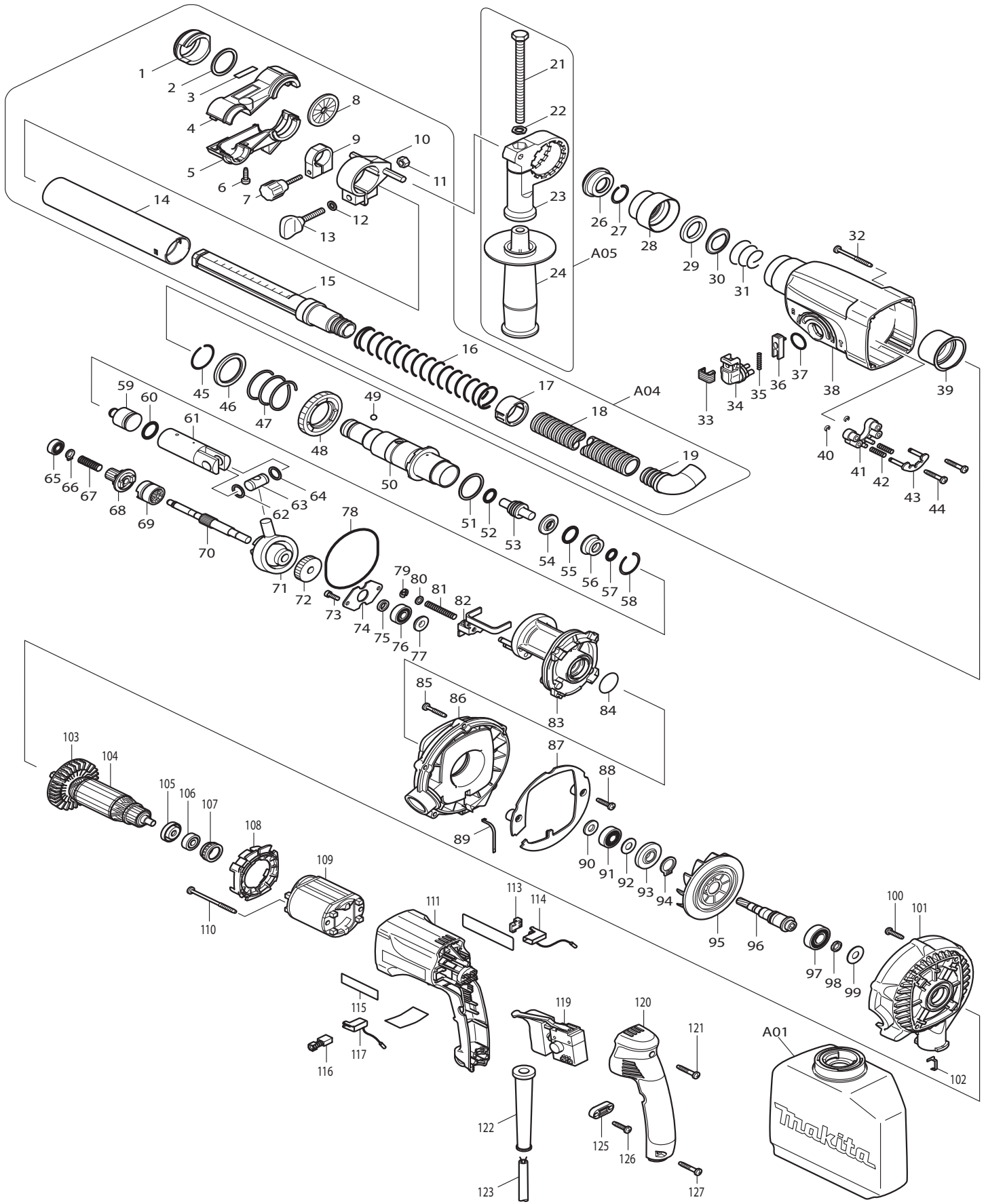




01-2010  
HR2432  
1" SDS-P DUSTLESS ROTARY HAMMER



Item No	Type	Ref	Part No	Description	Qty	Unit
001			421396-0	FITTING RUBBER	1	PC.
002			267091-6	FLAT WASHER 28	1	PC.
003			819071-4	MAKITA LABEL	1	PC.
004			414799-5	COLLECTOR 25R	1	PC.
005			414800-6	COLLECTOR 25L	1	PC.
006			265926-5	TAPPING SCREW 4X16	1	PC.
007			265706-9	THUMB SCREW M4X24	1	PC.
008			421384-7	SEALING CAP 40	1	PC.
009			414795-3	STOPPER RING	1	PC.
010			417156-6	PIPE HOLDER	1	PC.
011			931302-2	HEX. NUT M6	1	PC.
012			941151-9	FLAT WASHER 6	1	PC.
013			265705-1	THUMB SCREW M6X30	1	PC.
014			414797-9	SUPPORT PIPE	1	PC.
015			414796-1	SLIDE PIPE	1	PC.
016			233015-4	COMPRESSION SPRING 25	1	PC.
017			414794-5	SPRING STOPPER	1	PC.
018			414898-3	HOSE 19	1	PC.
019			417153-2	CUFFS 19-22	1	PC.
021			921923-8	HEX. BOLT M8X120	1	PC.
022			345280-4	HEX. WASHER	1	PC.
023			417630-4	GRIP BASE	1	PC.
024	1		152521-9	GRIP 36 COMPLETE	1	PC.
	2		153503-4	GRIP 36 COMPLETE	1	PC.
026			286263-4	CAP 35	1	PC.
027	2		233940-9	* RING SPRING 19	1	PC.
028			417629-9	CHUCK COVER	1	PC.
029			257241-1	RING 21	1	PC.
030			345187-4	GUIDE WASHER	1	PC.
031			233916-6	CONICAL COMP. SPRING 21-29	1	PC.
032			266069-6	TAPPING SCREW M4X45	4	PC.
033			417794-4	CAP	1	PC.
034			162229-7	CHANGE LEVER COMPLETE	1	PC.
035			233341-1	COMPRESSION SPRING 3	1	PC.
036			417795-2	LOCK BUTTON	1	PC.
037			213278-8	O RING 17	1	PC.
038			183441-6	GEAR HOUSING SET	1	PC.
		INC.		Item No. 39		
039			153290-5	NEEDLE BEARING COMPLETE	1	PC.
040			961017-7	STOP RING E-3	2	PC.
041			417796-0	GUIDE BASE	1	PC.
042			233344-5	COMPRESSION SPRING 4	2	PC.
043			163430-7	LOCK PLATE COMPLETE	1	PC.
044			265999-8	TAPPING SCREW 4X25	2	PC.
045			233918-2	RING SPRING 28	1	PC.
046			267228-5	WASHER 30	1	PC.
047			233328-3	COMPRESSION SPRING 31	1	PC.
048			227028-5	SPUR GEAR 51	1	PC.
049			216022-2	STEEL BALL 7.0	1	PC.
050			153365-0	TOOL HOLDER COMPLETE	1	PC.
051			267229-3	FLAT WASHER 28	1	PC.
052			213128-7	O RING 12	1	PC.
053			324396-8	IMPACT BOLT	1	PC.
054			324218-2	RING 9	1	PC.
055			213232-2	O RING 15	1	PC.
056			324216-6	O RING CASE	1	PC.
057			213073-6	O RING 9	1	PC.
058			233917-4	RING SPRING 28	1	PC.

Item No	Type	Ref	Part No	Description	Qty	Unit
059			324214-0	STRIKER	1	PC.
060			213227-5	O RING 16	1	PC.
061			331632-5	PISTON CYLINDER	1	PC.
062			267104-3	FLAT WASHER 12	1	PC.
063			324215-8	PISTON JOINT	1	PC.
064			267104-3	FLAT WASHER 12	1	PC.
065	2		210028-2	BALL BEARING 606ZZ	1	PC.
066			961003-8	RETAINING RING S-7	1	PC.
067			233343-7	COMPRESSION SPRING 7	1	PC.
068			226399-7	SPUR GEAR 10	1	PC.
069	2		331993-3	CLUTCH CAM	1	PC.
070			324248-3	CAM SHAFT	1	PC.
071			219014-0	SWASH BEARING 10	1	PC.
072			226550-9	HELICAL GEAR 26	1	PC.
073			266273-7	HEX. SOCKET HEAD BOLT M4X12	2	PC.
074			345179-3	BEARING RETAINER	1	PC.
075			267234-0	FLAT WASHER 8	1	PC.
076	2		210029-0	BALL BEARING 608ZZ	1	PC.
077			324212-4	RING 8	1	PC.
078			213725-9	O RING 68	1	PC.
079			961011-9	STOP RING E-4	1	PC.
080			941102-2	FLAT WASHER 5	1	PC.
081			233342-9	COMPRESSION SPRING 6	1	PC.
082			345363-0	CHANGE PLATE	1	PC.
083			153687-8	INNER HOUSING COMPLETE	1	PC.
084			213380-7	O RING 24	1	PC.
085			265999-8	TAPPING SCREW 4X25	5	PC.
086			418807-4	FAN HOUSING A	1	PC.
087			418809-0	DUST COVER PLATE	1	PC.
088			265995-6	TAPPING SCREW 4X18	2	PC.
089			345483-0	EARTH PLATE A	1	PC.
090			267271-4	FLAT WASHER 9	1	PC.
091			210060-6	BALL BEARING 609LLU	1	PC.
092			267231-6	FLAT WASHER 9	1	PC.
093			324500-9	DUST GUARD	1	PC.
094			961055-9	RETAINING RING S-15	1	PC.
095			241668-5	FAN 81	1	PC.
096	2		226619-9	* HELICAL GEAR 5	1	PC.
097			211131-2	BALL BEARING 6001DDW	1	PC.
098	2		213033-8	* O RING 8	2	PC.
099	1		253741-9	* FLAT WASHER 9 (21.5MM)	1	PC.
	2		253733-8	* FLAT WASHER 9 (19.0MM)	1	PC.
100			265995-6	TAPPING SCREW 4X18	4	PC.
101			418808-2	FAN HOUSING B	1	PC.
102			345484-8	EARTH PLATE B	1	PC.
103	2		240084-8	* FAN 60	1	PC.
104	3		515671-5	* ARMATURE ASSY 115V	1	PC.
		INC.		* Item No. 103,105,106		
105			681636-0	INSULATION WASHER	1	PC.
106			211021-9	BALL BEARING 607LLB	1	PC.
107			421494-0	RUBBER RING 19	1	PC.
108	2		419201-3	* BAFFLE PLATE	1	PC.
109			633491-6	FIELD 115V	1	PC.
110			266052-3	TAPPING SCREW 4X60	2	PC.
111	2		417632-0	MOTOR HOUSING	1	PC.
112			861193-6	HR2432 NAME PLATE	1	PC.
113			689111-0	SPACER	2	PC.
114			643988-7	BRUSH HOLDER	1	PC.

Item No	Type	Ref	Part No	Description	Qty	Unit
115			819063-3	MAKITA LABEL (OLD)	1	PC.
116	2		195007-0	CARBON BRUSH CB-407 2PC/SET, W/O ORIGIN	1	SET
117			643989-5	BRUSH HOLDER	1	PC.
119			650508-0	SWITCH TG813TLB-1	1	PC.
120			153284-0	HANDLE COVER COMPLETE	1	PC.
121			265999-8	TAPPING SCREW 4X25	1	PC.
122			682559-5	CORD GUARD 8	1	PC.
123			664895-1	CORD W/PLUG 2P-18-4.0M, SJ	1	PC.
125	2		687123-7	CORD CLAMP (STRAIN RELIEF)	1	PC.
126			265995-6	TAPPING SCREW 4X18	2	PC.
127			265999-8	TAPPING SCREW 4X25	2	PC.
129			257273-8	* RING 8 (Added)	1	PC.
200			654121-6	TAB (NO PICTURE)	1	PC

**ACCESSORIES**

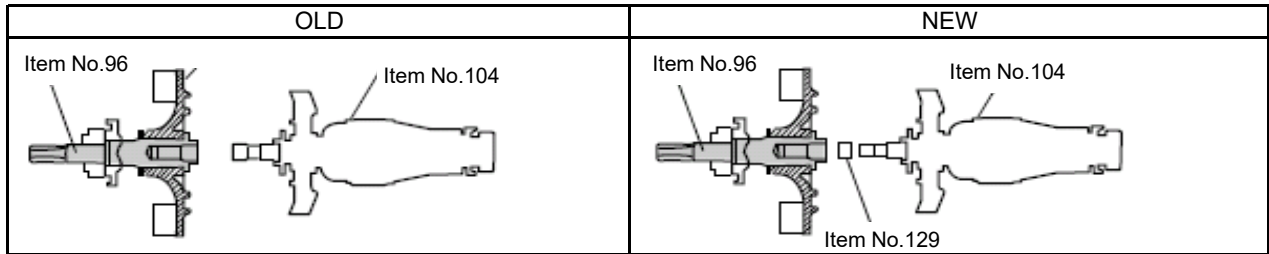
A01			122708-7	DUST BAG ASS'Y	1	PC.
		INC.	410602-8	FASTENER	1	PC.
		INC.	417154-0	FRAME CAP	1	PC.
A02			824729-2	PLASTIC CARRYING CASE	1	PC.
		INC.	163455-1	LATCH	2	PC.
		INC.	819140-1	MAKITA LOGO LABEL	1	PC.
		INC.	419360-3	HANDLE (OLD# 418889-6)	1	PC.
A03			421727-3	CAP	1	PC.
A04			122709-5	DUST COLLECTOR ASSY	1	PC.
		INC.		Item No. 1-19		
A05	2		135302-6	GRIP 36 ASS'Y	1	PC.
		INC.		Item No. 21-24		
A06			193606-2	HAMMER SERVICE KIT	1	PC.
		INC.	183477-5	MAKITA GREASE RA No.1 30G	1	PC.
		INC.	195007-0	CARBON BRUSH CB-407 2PC/SET (W/ ORIGIN)	1	PC.
		INC.	213073-6	O RING 9	1	PC.
		INC.	213128-7	O RING 12	1	PC.
		INC.	213227-5	O RING 16	1	PC.
		INC.	213232-2	O RING 15	1	PC.
		INC.	233917-4	RING SPRING 28	1	PC.
		INC.	286263-4	CAP 35	1	PC.

**SERVICE CHANGES**

**1. Changes on Armature Assy, Helical Gear 5, Ring Spring, Baffle Plate, etc.**

Item No.	Description	Type 1	Type 2	Type 3
96	Helical Gear 5	226596-5		226619-9
129	Ring 8	-----		257273-8
104	Armature Assy	515621-0 (N/L/A)	515651-1 (N/L)	515671-5
27	Ring Spring 19		233915-8	233940-9
103	Fan 60		240047-4	240084-8
108	Baffle Plate		417631-2	419201-3

Item No. 96, 129 and 104 are completely interchangeable as a set.



Item No.	OLD	NEW
<p>Item No. 27 Ring Spring 19: Notch of the ring spring 19 should be at opposite side of Steel ball 7</p>		
<p>Item No. 108 Baffle plate:</p>		
<p>Item No. 104 Armature Assy: Distinguish the new Armature assy from the new by checking the Fan (component of Armature assy)</p>		

**2. Changes on Flash Washer 9**

Item No.	Description	Type 1	Type 2
99	Flat Washer 9	253741-9	253733-8

### 3. Change of Urethane ring 8

Item No.	Description / QTY	Part No.
98	Urethane Ring 8 1PC.	262115-3
	O Ring 8 2PC.	213033-8

